

CONTENTS	Page
1. GENERAL CHARACTERISTICS .....	1
2. POSITIONING .....	1
3. TECHNICAL CHARACTERISTICS .....	2
4. INSTALLATION .....	2
5. DIMENSIONS .....	2
6. TYPICAL RJ45 CONNECTION.....	2
7. ACCESSORIES.....	3

**1. GENERAL CHARACTERISTICS**

Equipped with new-generation Soluclips for automatic fixing (screwless) on cabinet and enclosure uprights.

Universal mounting in all racks or cabinets with automatic earthing on unpainted panels. Painted panels can be connected to earth with a cord and a screw connection.

Equipped with rear cable guide to hold cable during maintenance.

Equipped with 4 cassettes of 6 LCS3 RJ45 Cat. 6 connectors with toolless fast connection, marked 568 A/B.

Supplied with different colour identification labels for each cassette (blue, white, yellow, orange).

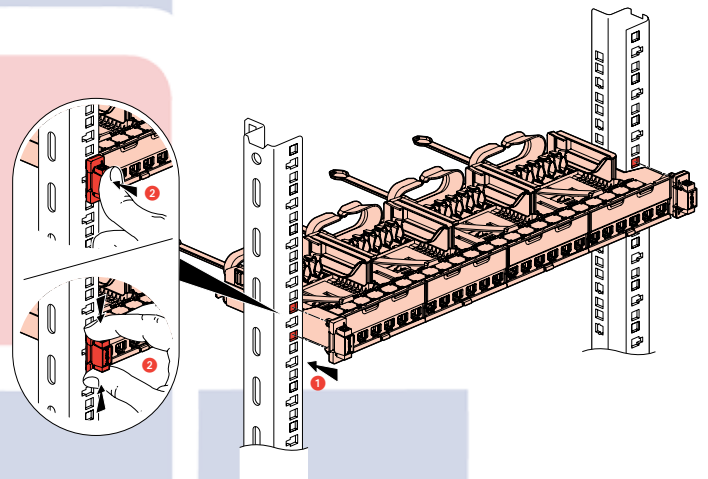
Conforming to standards ISO/IEC 11801 edition 3.0 (2017) and EIA/TIA 568 C2-1.

19" panel - 1 U.

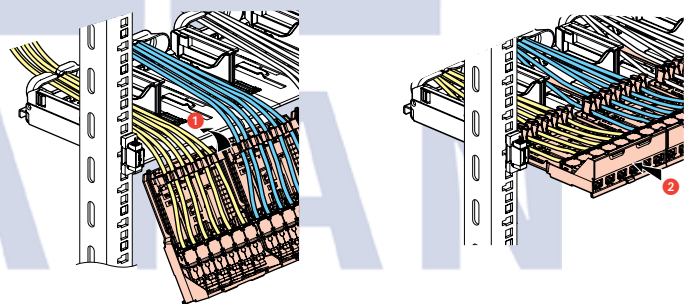
Cassettes removed automatically by simply pressing the button on the front.

Each connector can be removed individually

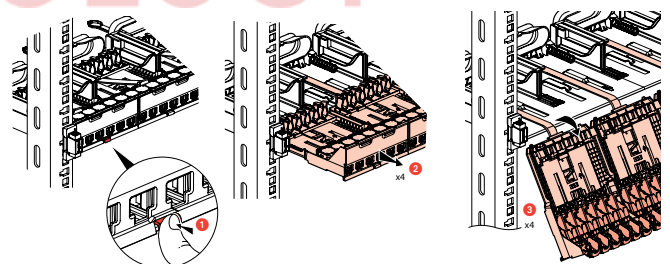
**Mounting a panel**



**Mounting a cassette**



**Removing a cassette**



Description		UTP	FTP	STP	Weight (g)
	Panel with 24 RJ45 Cat. 6 UTP	0 337 60			1786
	Panel with 24 RJ45 Cat. 6 FTP		0 337 61		1786
	Panel with 24 RJ45 Cat. 6 STP			0 337 62	2505
	Connector with 6 RJ45 Cat. 6 UTP	0 337 63			11
	Connector with 6 RJ45 Cat. 6 FTP		0 337 64		11
	Connector with 6 RJ45 Cat. 6 STP			0 337 65	40

**2. POSITIONING**

Connectors are connected at the front without a special tool.

- Connectors clip onto the panel individually

No need for cable ties: the cable is held in its cable guide in the cassette and by a concentric strand guide on the panel.

### 3. TECHNICAL CHARACTERISTICS

#### 3.1 Material characteristics

Panel: DC01 galvanised sheet steel

Connector:

- Contacts: gold/nickel, thickness of gold > 0.8 µm minimum
- Metal parts: bronze, nickel, platinum, gold
- Polycarbonate PBT

#### 3.2 Electrical characteristics

Breakdown voltage: 1000 V

Contact resistance: 20 mΩ

Insulation resistance: 500 MΩ under 100 V DC

Withstand performance to a POE signal up to 50 W

#### 3.3 Mechanical characteristics

Max. number of connections and disconnections: 5 without replacing the wire

Endurance: 2500 operations (plug-in/pull-out)

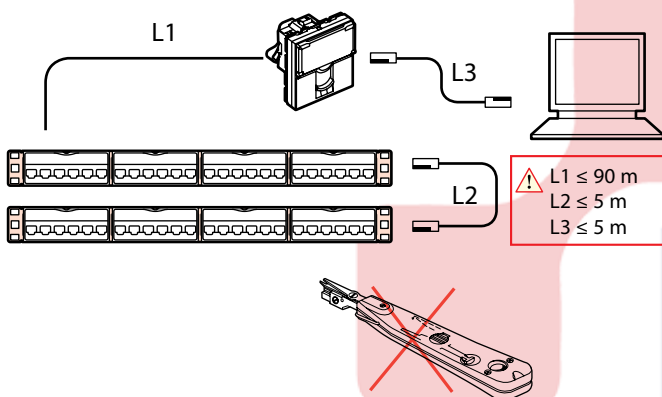
IK03

#### 3.4 Climatic characteristics

Operating temperature: -40°C to +70°C

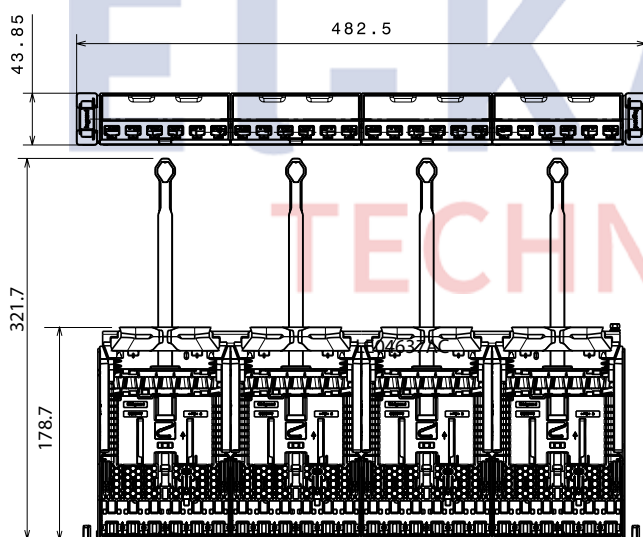
Humid heat 21-day cycle

### 4. INSTALLATION

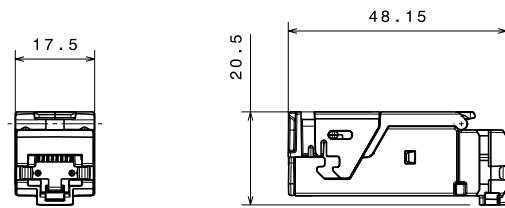


### 5. DIMENSIONS

Dimensions of panels 0 337 50/51



Dimensions of connectors 0 337 53/54



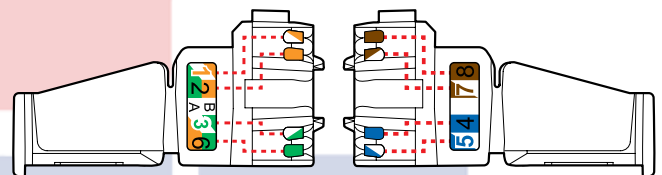
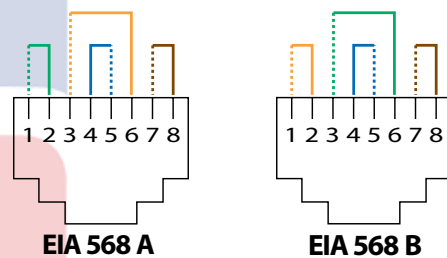
### 6. TYPICAL RJ45 CONNECTION

Takes the following plugs:

RJ 11 (4 contacts), RJ 12 (6 contacts), RJ 45 (9 contacts).

EIA/TIA 568 A and B dual colour code on terminals:

- UTP (8 contacts)
- FTP (9 contacts)

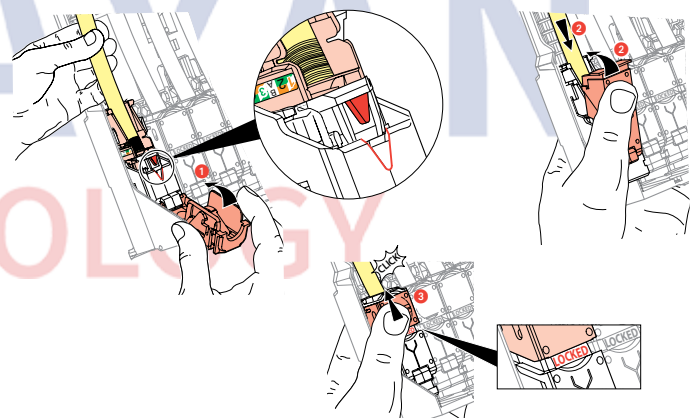


Permissible conductors:

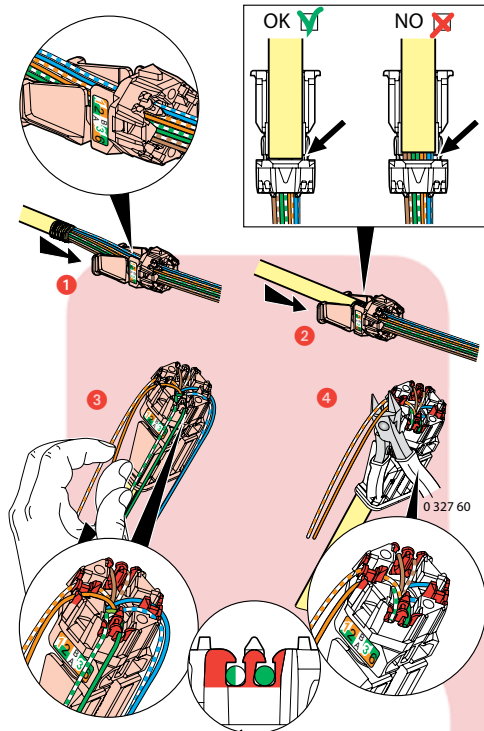
- Single-core: 0.5 to 0.65 mm, AWG 22 to 26
- Multicore: AWG 26
- Polyethylene conductor insulation: Max. insulation Ø: 1.58 mm

Number of wires to be connected per connection: 1

RJ45 connectors are equipped with a locking nut. They do not require a special tool and can be re-wired if a mistake is made.



This system makes it easy to spread pairs before fitting them onto the connector.



Spreading the cables and positioning the sleeve firmly in the spreader ensures that a pair-breakage distance of 13 mm is kept between pairs, as required by the standard.

Spreading pairs at 90° to the cable ensures the best possible performance.

## 7. ACCESSORIES

### - 0 337 57: Blanking cassette

Used to fill gaps in the panel.

### - 0 337 57: Port blanking plate

Blanking plate with 6 separable ports

Used to block up individually, partially or fully 1 to 6 ports (cassette with 6 ports) or 1 to 12 ports (HD cassette).

### - 0 337 59: Cable guide

2 cable guides to be clipped onto new-generation Soluclips.

Manages cables laterally by holding them and tilting them horizontally and vertically.

EL-KAYAN  
TECHNOLOGY