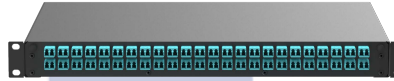


# Opticom® Pre-Loaded Fibre Drawers

## specifications

Opticom® Pre-Loaded Fibre Drawers shall provide a pre-configured, ready-to-install system for managing fibre optic terminations, connections and patching in a 1 RU rack mount enclosure. The pre-loaded enclosure accommodates both field termination and field splicing, and supports trunk cable entry via PG style glands, blown fibre glands and metric knockouts with rubber grommets. The pre-loaded enclosure is a two-piece design with a slide-out drawer for full access to all fibre terminations, easy moves, adds and changes and simple installation. The enclosure has silk-screened white areas adjacent to each adapter for individual Fibre Channel labelling and a similar silk-screen area for overall enclosure labelling. The enclosure has integral mounting brackets suitable for installation in any 19 inches wide EIA-310/IEC 60297 compatible rack or cabinet.



## technical information

<b>Dimensions:</b>	1.73"H x 17.50"W x 12.13" (43.9mm x 444.5mm x 308.2mm)
<b>Mounting option:</b>	Integral brackets mount to 19" wide EIA-310/IEC 60297 rack rails
<b>Accessories:</b>	Mounting hardware and fibre routing accessory kit included; contains two FMS1 fibre management spools, two 30mm size rubber grommets, one PG11 cable gland, Panduit® Pan-Ty® Cable Ties, and M6 x 1 mounting screws

## key features and benefits

<b>Pre-loaded with fibre optic adapters</b>	Factory configured with duplex SC or LC adapters for fast and easy cabling and installation
<b>Slide-out drawer</b>	Slides forward a full 300mm for service access to all fibre terminations, connections and splices
<b>Field terminate or fusion splice</b>	Supports both field termination via pot-and-polish or Panduit® OptiCam® Connectors or field splicing (fusion or mechanical) with appropriate slack storage and cable management provisions
<b>Multiple cable entry methods</b>	Trunk and interconnect cable entry via PG11 glands, 5mm blown fibre glands, 20mm knockouts, or 30mm rubber grommets
<b>Two-piece, all-metal body construction</b>	Simple and economical installation with no loose components to misplace; improved protection over plastic fibre drawers
<b>Dedicated labelling areas</b>	Silk-screened white labelling areas for individual Fibre Channel identification plus overall enclosure labelling

## applications

Opticom Pre-Loaded Fibre Drawers provide a factory configured, ready to install system for managing fibre optic terminations, connections and patching in a variety of applications. The enclosure can serve as a transition from backbone cabling to distribution switching in telecommunications rooms, can act as an interconnect to active equipment switches in a fibre to the zone application, or can be used as a transition enclosure for splicing to service provider trunks and then patching to premise intra-building cabling.

The pre-loaded enclosures can terminate and manage up to 48 fibres in 1 RU depending on configuration and adapter type. Enclosures are pre-loaded with SC or LC style adapters suitable for use with OM1, OM3, or OM4 multimode fibre and OS2 singlemode fibre. The simple two-piece design features a slide-out drawer for full access to all fibre terminations. This supports fast and intuitive installation plus easy moves, adds and changes.

### Opticom® Pre-Loaded Fibre Drawer for OM1 62.5/125µm Multimode Fibre – Zirconia Split Sleeve

<b>6 duplex SC adapters:</b>	FD1W6EIDSCZ
<b>12 duplex SC adapters:</b>	FD1W12EIDSCZ
<b>24 duplex SC adapters:</b>	FD1W24EIDSCZ
<b>12 duplex LC adapters:</b>	FD1W12EIDL CZ
<b>24 duplex LC adapters:</b>	FD1W24EIDL CZ

### Opticom® Pre-Loaded Fibre Drawer for OM3/OM4/OM4+ 50/125µm Multimode Fibre – Zirconia Split Sleeve

<b>6 duplex SC adapters:</b>	FD1W6AQDSCZ
<b>12 duplex SC adapters:</b>	FD1W12AQDSCZ
<b>24 duplex SC adapters:</b>	FD1W24AQDSCZ
<b>12 duplex LC adapters:</b>	FD1W12AQDLCZ
<b>24 duplex LC adapters:</b>	FD1W24AQDLCZ
<b>48 duplex LC adapters:</b>	FD1W48AQDLCZ

### Opticom® Pre-Loaded Fibre Drawer for OS1/OS2 9/125µm Singlemode Fibre – Zirconia Split Sleeve

<b>6 duplex SC adapters:</b>	FD1W6BUDSCZ
<b>12 duplex SC adapters:</b>	FD1W12BUDSCZ
<b>24 duplex SC adapters:</b>	FD1W24BUDSCZ
<b>12 duplex LC adapters:</b>	FD1W12BUDLCZ
<b>24 duplex LC adapters:</b>	FD1W24BUDLCZ
<b>48 duplex LC adapters:</b>	FD1W48BUDLCZ

### Opticom® Pre-Loaded Fibre Drawer for OM5 50/125µm Singlemode Fibre – Zirconia Split Sleeve

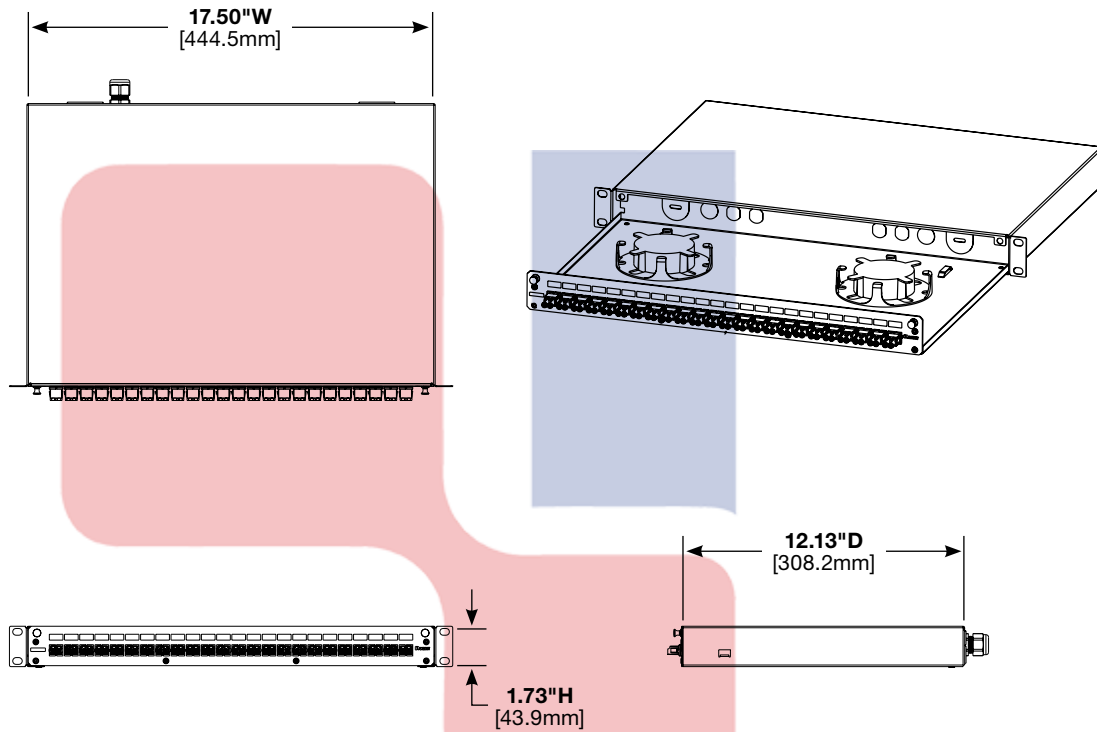
<b>12 duplex LC adapters:</b>	FD1W12LMDLCZ
<b>24 duplex LC adapters:</b>	FD1W24LMDLCZ
<b>48 duplex LC adapters:</b>	FD1W48LMDLCZ

### Opticom® Splicing Accessories

<b>Fibre splice chip, 24 fusion splices:</b>	FSC24
<b>Fibre splice module, 24 fusion splices:</b>	FOSMF
<b>Fibre splice module, 12 mechanical splices:</b>	FOSMM

# Opticom® Pre-Loaded Fibre Drawers

## pre-loaded fibre drawer dimensions



**FD1W<sup>^</sup>** (adapter counts and types vary based on part number configuration)

Substitute for adapter colour/fibre type: AG (APC Green/OS2 9/125µm), AQ (Aqua/OM3/OM4/OM4+ 50/125µm), BU (Blue/OS1/OS2 9/125µm), EI (Electric Ivory/OM1 62.5/125µm), or LM (Lime/OM5 50/125µm).

<sup>^</sup> = Adapter counts and types vary based on part number configuration

# EL-KAYAN TECHNOLOGY

Dimensions are in inches. [Dimensions in brackets are metric].

### WORLDWIDE SUBSIDIARIES AND SALES OFFICES

PANDUIT US/CANADA  
Phone: 800.777.3300

PANDUIT EUROPE LTD.  
London, UK  
Phone: 44.20.8601.7200

PANDUIT SINGAPORE PTE. LTD.  
Republic of Singapore  
Phone: 65.6305.7575

PANDUIT JAPAN  
Tokyo, Japan  
Phone: 81.3.6863.6000

PANDUIT LATIN AMERICA  
Guadalajara, Mexico  
Phone: 52.33.3777.6000

PANDUIT AUSTRALIA PTY. LTD.  
Victoria, Australia  
Phone: 61.3.9794.9020

For a copy of Panduit product warranties, log on to [www.panduit.com/warranty](http://www.panduit.com/warranty)

# PANDUIT®

For more information  
**Visit us at [www.panduit.com](http://www.panduit.com)**  
Contact Customer Service by email: [cs@panduit.com](mailto:cs@panduit.com)  
or by phone: 800.777.3300

© 2023 Panduit Corp.  
ALL RIGHTS RESERVED.  
RKSP108--WW-ENG  
10/2023