

specifications

Drawers shall be constructed of steel material. Drawers shall have built-in bend radius control clips. Drawers shall have removable top cover to provide easy access to splices and cable storage.



technical information

Dimensions:	FMD1: 19.00"W × 1.77"H × 15.33"D (482.60mm × 44.9mm × 389.5mm), 1 RU
	FMD2: 19.00"W × 3.48"H × 15.40"D (482.60mm × 88.3mm × 391.2mm), 2 RU

key features and benefits

Drawers	Provides installer with several options to route cable within the rack
Removable rear tray cover	Provides easy access to splices and cable storage
Pitch panel mounting	Hardware provided to allow patch panel to be preassembled to unit before mounting to rack
Works with all Panduit® Opticom® Fiber Optic Cassettes and Fiber Adapter Panels	Provides versatility and flexibility with a fully modular solution for a variety of pre-terminated installations, FAP and field termination, and splicing installations. Works with all Panduit LC, SC, ST and MPO fiber adapter panels

applications

Panduit® Opticom® Drawers are designed to manage and organize fiber distribution in areas where space is limited. They can also be used to manage cable from outside the facility.

Enclosures can be used as an interconnector cross-connect in any telecommunications room and can use any standard FAP series adapter panel. Opticom® Drawers are completely modular and can manage both fiber and copper cables.

Opticom® Drawers

Up to 48 fibers:	FMD1
Up to 96 fibers:	FMD2

LC Adapter Panels

OM3/OM4 6 Duplex LC:	FAP6WAQDLCZ
OM3/OM4 12 Duplex LC:	FAP12WAQDLCZ
OS1/OS2 6 Duplex LC:	FAP6WBUDLCZ
OS1/OS2 12 Duplex LC:	FAP12WBUDLCZ
APC 6 Duplex LC:	FAP6WAGDLCZ
APC 12 Duplex LC:	FAP12WAGDLCZ

Adapter Panels

6-port modular panel:	FMP6
Blank panel:	FAPB

ST Adapter Panels

6 simplex ST:	FAP6WSTZ
8 simplex ST:	FAP8WSTZ

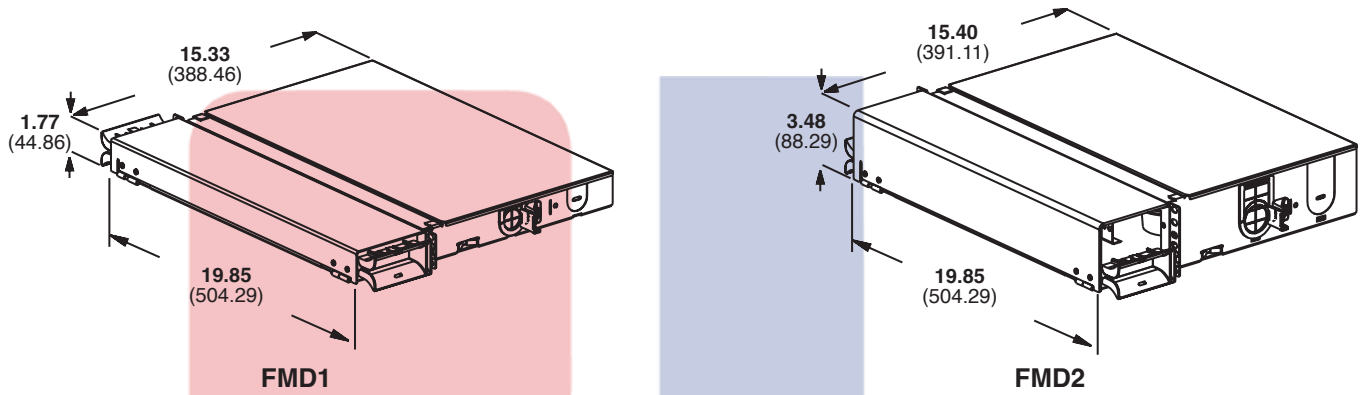
SC Adapter Panels

OM3/OM4 3 DUPLEX SC:	FAP3WAQDSCZ
OM3/OM4 6 DUPLEX SC:	FAP6WAQDSCZ
OS1/OS2 3 DUPLEX SC:	FAP3WBUDSCZ
OS1/OS2 6 DUPLEX SC:	FAP6WBUDSCZ
APC 3 DUPLEX SC:	FAP3WAGDSCZ
APC 6 DUPLEX SC:	FAP6WAGDSCZ

Opticom® Patch/Splice Kits

Splice tray:	FOSMF
Protects up to 24 fusion and 144 ribbon splices	
Splice tray:	FOSMM
Protects up to 12 mechanical splices	

Opticom Drawers Detail



EL-KAYAN TECHNOLOGY

Dimensions are in inches. (Dimensions in parentheses are metric).

WORLDWIDE SUBSIDIARIES AND SALES OFFICES

PANDUIT US/CANADA
Phone: 800.777.3300

PANDUIT EUROPE LTD.
London, UK
Phone: 44.20.8601.7200

PANDUIT SINGAPORE PTE. LTD.
Republic of Singapore
Phone: 65.6305.7575

PANDUIT JAPAN
Tokyo, Japan
Phone: 81.3.6863.6000

PANDUIT LATIN AMERICA
Guadalajara, Mexico
Phone: 52.33.3777.6000

PANDUIT AUSTRALIA PTY. LTD.
Victoria, Australia
Phone: 61.3.9794.9020

For a copy of Panduit product warranties, log on to www.panduit.com/warranty

PANDUIT®

For more information
Visit us at www.panduit.com
Contact Customer Service by email: cs@panduit.com
or by phone: 800.777.3300

© 2022 Panduit Corp.
ALL RIGHTS RESERVED.
FBSP122--WW-ENG
7/2022