

Opticom® Pre-Loaded Fibre Drawers

specifications

Opticom® Pre-Loaded Fibre Drawers shall provide a pre-configured, ready-to-install system for managing fibre optic terminations, connections and patching in a 1 RU rack mount enclosure. The pre-loaded enclosure accommodates both field termination and field splicing, and supports trunk cable entry via PG style glands, blown fibre glands and metric knockouts with rubber grommets. The pre-loaded enclosure is a two-piece design with a slide-out drawer for full access to all fibre terminations, easy moves, adds and changes and simple installation. The enclosure has silk-screened white areas adjacent to each adapter for individual Fibre Channel labelling and a similar silk-screen area for overall enclosure labelling. The enclosure has integral mounting brackets suitable for installation in any 19 inches wide EIA-310/IEC 60297 compatible rack or cabinet.



technical information

Dimensions:	1.73"H x 17.50"W x 12.13" (43.9mm x 444.5mm x 308.2mm)
Mounting option:	Integral brackets mount to 19" wide EIA-310/IEC 60297 rack rails
Accessories:	Mounting hardware and fibre routing accessory kit included; contains two FMS1 fibre management spools, two 30mm size rubber grommets, one PG11 cable gland, Panduit® Pan-Ty® Cable Ties, and M6 x 1 mounting screws

key features and benefits

Pre-loaded with fibre optic adapters	Factory configured with duplex SC or LC adapters for fast and easy cabling and installation
Slide-out drawer	Slides forward a full 300mm for service access to all fibre terminations, connections and splices
Field terminate or fusion splice	Supports both field termination via pot-and-polish or Panduit® OptiCam® Connectors or field splicing (fusion or mechanical) with appropriate slack storage and cable management provisions
Multiple cable entry methods	Trunk and interconnect cable entry via PG11 glands, 5mm blown fibre glands, 20mm knockouts, or 30mm rubber grommets
Two-piece, all-metal body construction	Simple and economical installation with no loose components to misplace; improved protection over plastic fibre drawers
Dedicated labelling areas	Silk-screened white labelling areas for individual Fibre Channel identification plus overall enclosure labelling

applications

Opticom Pre-Loaded Fibre Drawers provide a factory configured, ready to install system for managing fibre optic terminations, connections and patching in a variety of applications. The enclosure can serve as a transition from backbone cabling to distribution switching in telecommunications rooms, can act as an interconnect to active equipment switches in a fibre to the zone application, or can be used as a transition enclosure for splicing to service provider trunks and then patching to premise intra-building cabling.

The pre-loaded enclosures can terminate and manage up to 48 fibres in 1 RU depending on configuration and adapter type. Enclosures are pre-loaded with SC or LC style adapters suitable for use with OM1, OM3, or OM4 multimode fibre and OS2 singlemode fibre. The simple two-piece design features a slide-out drawer for full access to all fibre terminations. This supports fast and intuitive installation plus easy moves, adds and changes.

Opticom® Pre-Loaded Fibre Drawer for OM1 62.5/125µm Multimode Fibre – Zirconia Split Sleeve

6 duplex SC adapters:	FD1W6EIDSCZ
12 duplex SC adapters:	FD1W12EIDSCZ
24 duplex SC adapters:	FD1W24EIDSCZ
12 duplex LC adapters:	FD1W12EIDL CZ
24 duplex LC adapters:	FD1W24EIDL CZ

Opticom® Pre-Loaded Fibre Drawer for OM3/OM4/OM4+ 50/125µm Multimode Fibre – Zirconia Split Sleeve

6 duplex SC adapters:	FD1W6AQDSCZ
12 duplex SC adapters:	FD1W12AQDSCZ
24 duplex SC adapters:	FD1W24AQDSCZ
12 duplex LC adapters:	FD1W12AQDLCZ
24 duplex LC adapters:	FD1W24AQDLCZ
48 duplex LC adapters:	FD1W48AQDLCZ

Opticom® Pre-Loaded Fibre Drawer for OS1/OS2 9/125µm Singlemode Fibre – Zirconia Split Sleeve

6 duplex SC adapters:	FD1W6BUDSCZ
12 duplex SC adapters:	FD1W12BUDSCZ
24 duplex SC adapters:	FD1W24BUDSCZ
12 duplex LC adapters:	FD1W12BUDLCZ
24 duplex LC adapters:	FD1W24BUDLCZ
48 duplex LC adapters:	FD1W48BUDLCZ

Opticom® Pre-Loaded Fibre Drawer for OM5 50/125µm Singlemode Fibre – Zirconia Split Sleeve

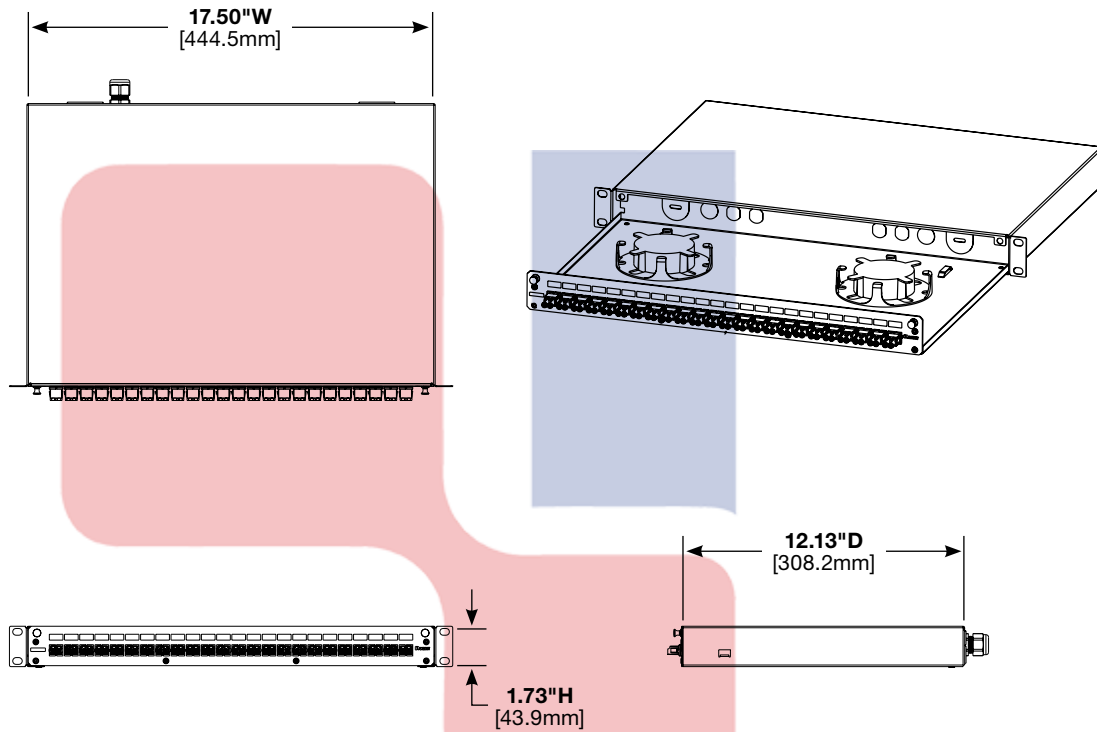
12 duplex LC adapters:	FD1W12LMDLCZ
24 duplex LC adapters:	FD1W24LMDLCZ
48 duplex LC adapters:	FD1W48LMDLCZ

Opticom® Splicing Accessories

Fibre splice chip, 24 fusion splices:	FSC24
Fibre splice module, 24 fusion splices:	FOSMF
Fibre splice module, 12 mechanical splices:	FOSMM

Opticom® Pre-Loaded Fibre Drawers

pre-loaded fibre drawer dimensions



FD1W[^] (adapter counts and types vary based on part number configuration)

Substitute for adapter colour/fibre type: AG (APC Green/OS2 9/125µm), AQ (Aqua/OM3/OM4/OM4+ 50/125µm), BU (Blue/OS1/OS2 9/125µm), EI (Electric Ivory/OM1 62.5/125µm), or LM (Lime/OM5 50/125µm).

[^] = Adapter counts and types vary based on part number configuration

EL-KAYAN TECHNOLOGY

Dimensions are in inches. [Dimensions in brackets are metric].

WORLDWIDE SUBSIDIARIES AND SALES OFFICES

PANDUIT US/CANADA
Phone: 800.777.3300

PANDUIT EUROPE LTD.
London, UK
Phone: 44.20.8601.7200

PANDUIT SINGAPORE PTE. LTD.
Republic of Singapore
Phone: 65.6305.7575

PANDUIT JAPAN
Tokyo, Japan
Phone: 81.3.6863.6000

PANDUIT LATIN AMERICA
Guadalajara, Mexico
Phone: 52.33.3777.6000

PANDUIT AUSTRALIA PTY. LTD.
Victoria, Australia
Phone: 61.3.9794.9020

For a copy of Panduit product warranties, log on to www.panduit.com/warranty

PANDUIT®

For more information
Visit us at www.panduit.com
Contact Customer Service by email: cs@panduit.com
or by phone: 800.777.3300

© 2023 Panduit Corp.
ALL RIGHTS RESERVED.
RKSP108--WW-ENG
10/2023